

INPUT MODULE INP02



Figure 1 : Input module INP02

1. Product Description

Module for connecting external contacts such as regular switches and push buttons, solar/wind detector, motion detector, smoke detectors,...

On the INP02, 2 potential free contacts and 2 low-current LEDs (2mA without serial resistor) can be connected. The maximum length of the conductor between the INP02 and the potential free input is 20 meters. The cable type or its section is irrelevant.

The input contacts can be selected and set using the Qbus configuration software:

- Push button = button that is open when inactive – only active when pushed shortly (e.g. doorbell).
- Normal open = contact that is open when inactive.
- Normal closed = contact that is closed when inactive.
- Switch = when a single-pole conventional switch is connected to the input.

WARNING: ALWAYS USE NORMAL OPEN OR NORMAL CLOSE CONTACTS WHEN INPUTS ARE CONNECTED THAT GIVE AN EXTENDED CONTACT (E.G. MAGNETIC WINDOW-CONTACT, SMOKE OR MOTION DETECTOR,...). THESE INPUTS ARE ON FOR AN EXTENDED PERIOD OF TIME. ONLY USE THE “PUSH BUTTON” SETTING FOR SHORT CONTACTS.

An INP02 can control 2 outputs, 2 scenes or 2 x 16 scenes (via the sequence function).

The two low-current LEDs that can be connected to INP02 show the status of the mode that has been selected (push button, normal open, normal close, switch).

The INP02 is connected on the bus, and gets its power from the bus.

Each module has 1 unique serial number for programming via the Qbus configuration software.

ALWAYS USE POTENTIAL-FREE CONTACTS!
NEVER CONNECT OR DISCONNECT MODULES WHILE THE BUS IS ENERGIZED!

2. Safety Instructions

Read the complete manual before carrying out the installation and activating the system.



WARNING

- The device must be mounted and commissioned by an authorized electrician in accordance with the country-specific regulations.
- Never connect an AC or DC voltage to an input for a potential-free contact. This will damage the input module.
- The device must not be opened. The guarantee provisions will be void when the module has been opened.

3. Mounting and wiring

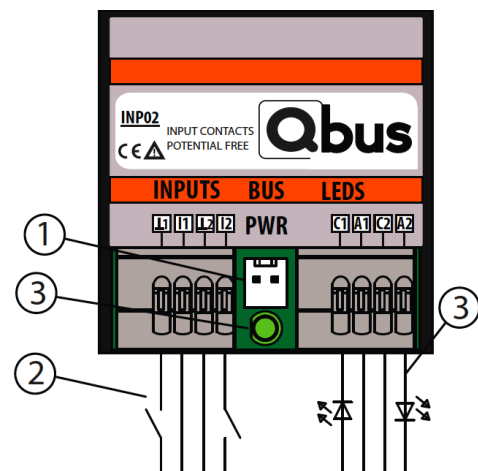


Figure 2 : Connection example for mains voltage and inputs

BUSCONNECTOR ①:

It is recommended to use the Qbus cable or any other cable with minimum 2 x 1mm² conductors as a bus lead. The green protected EIB wire is also allowed when the conductors are guided per 2 in order to obtain a section of minimum 2 x 1mm².

IMPORTANT : THE BUS CABLE SHOULD BE SHIELDED AND GROUNDED! THE GROUNDING SHOULD BE CONNECTED TO THE OVERALL GROUNDING OF THE BUILDING

INPUT MODULE INP02

INPUTS ② :

Connect the inputs according the connection example (figure 2). Both solid and stranded wire can be used (for stranded use a screwdriver to push on the connection when inserting the wire). Conductor cross section : maximum 0.5 mm². Remove approx 7mm of insulation from the wire and push it into the terminals IN1 – IN2. By pushing with a screwdriver on the connector, the wire can be removed from the connector.

LED INDICATION ③ :

Green LED: power supply ok.

External LEDs (when connected): show the status of the mode that has been selected (push button, normal open, normal close, switch).

4. Technical Data

GENERAL SPECIFICATIONS :

- Power supply : bus
- Characteristic consumption : 2.3VA
- Ambient temperature :
Working temp. range : 10°C to 50°C
Storage temp. range : -10°C to 60°C
- Maximum humidity : 93%, no moisture condensation
- Bus load without LEDs: 6mA, with all LEDs on 8mA
- Max installation altitude : 2.000m

INPUTS :

- IN1 – IN2 : 2 potential-free single contacts
- Input signal delay :
- when closing the contact : max 100ms
- after opening the contact : max 100ms
- Input function : pushbutton, normal open, normal close, switch. To be set by Qbus Configuration Software (System Manager).

PHYSICAL SPECIFICATIONS

- Housing : Plastic with resin-filling, self-extinguishing acc. to UL94-V0
- Protection Degree : IP30
- Installation : bus-connector, push-connector for inputs and LEDs
- Dimensions (HxWxL) : 12mm x 40mm x 41mm
- Weight : approx. 0,035 kg

ELECTRICAL SAFETY

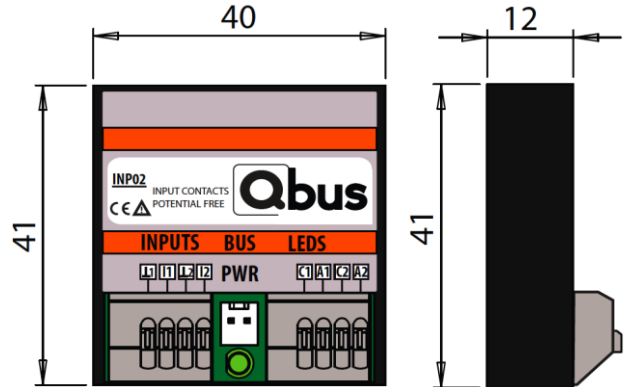
- Bus : 13,8VDC safety extra low voltage (according EN 60950 – 1 : 2006)
- Non-toxic WEEE/RoHS compliant

CE

- Complies with the EMC regulations and low voltage regulations. The device complies with EN50090-2-2 (1996) +A1(2002) +A2 (2007) en EN61000-6-3, EN61000-6-1 (2007)

5. Dimension Diagram

Dimensions in mm.



6. Guarantee provisions

Period of guarantee : 2 years from date of delivery.

Guarantee will not be accepted if the device has been opened!

Any faulty devices should be send postage-free with a description of the defect to our central customer service office :

QBUS N.V.

Joseph Cardijnstraat 19

9420 Erpe-Mere

Belgium

T +32 53 60 72 10

F +32 53 60 72 19

Email : support@qbus.be