

MOTION DETECTOR INSIDE MDI01



Figure 1 : Bticino® Motion Detector MDI01/N Light

1. Product Description

This module contains a motion detector with adjustable angle and an integrated light cell. The detector is integrated in a built-in frame with claw attachment. A bus connection with connector (no polarity) has been provided. The motion detector has a range of approximately 7m at an angle of 110 degrees. The light cell is positioned internally.

The motion detector MDI01 can make the difference between movement coming from the left or the right when it's wall mounted and when the movement crosses the angle. This can be useful for distinguishing an incoming or an outgoing movement.

The System Manager software allows you determine whether the output is a combination of motion AND light or only motion or only light.

Software-settings:

Triggers:

First: This is the amount of movement needed to activate the output (higher = more movement needed to activate)

Keep : Is the amount of movement to maintain the output activated. (higher = more movement needed to keep activated)

Sensitivity: How sensitive the MDI is to air-flow. Sensitivity can be set on a high level (higher = more sensitive), but if e.g. outputs are activated

when no-one is in the room sensitivity should be reduced (MDI is reacting to airflows of heating e.g.).

With the Timers the time can be set during which the outputs will be activated (extension). The Lock timer is used to lock the detector from directional detection when this is being used. E.g. the MDI can be set to detect motion from left to right or vice versa.

The Led (inside the MDI) can be set to blink based on movement or based on Light every 2 or 5 seconds.

One can program up to 4 outputs (only Toggle). Every output must be activated by one (eg. Left) or more actions (eg. Left+Right and light cel). When Alarm is selected this means that this specific output will be activated when the Alarm-trigger is activated.

Actions for activating the output:

Alarm: When there is a certain level of continuous movement (5 seconds).

Light: The amount of light is less than the value set. The Overrule LDR function allows you to select an output which, when activated, disables the light sensor on this MDI so it will only function based on movement.

To use the MDI based on movement, both movement flags (L and R) need to be activated.

All outputs still can be controlled by other inputs (eg. switches,...). Options exist to give priority, temporary disable output, ...

THE MODULE SHOULD BE MOUNTED ON THE BEST PLACE TO GET A MAXIMUM COVERAGE OF THE 'VIEWING ANGLE' AND NOT IN ANY DIRECT LOCATION NEAR HEATING OR COOLING DEVICES.

NEVER CONNECT OR DISCONNECT MODULES WHILE THE BUS IS ENERGIZED!

2. Safety Instructions

Read the complete manual before carrying out the installation and activating the system.



WARNING

- The device must be mounted and commissioned by an authorised electrician in accordance with the country-specific regulations.
- The device may be used for permanent INTERIOR installations in dry locations within box mounts.

MOTION DETECTOR INSIDE MDI01

- The device must not be installed in box mounts together with 230V devices.
- The device must not be opened.

3. Mounting and wiring

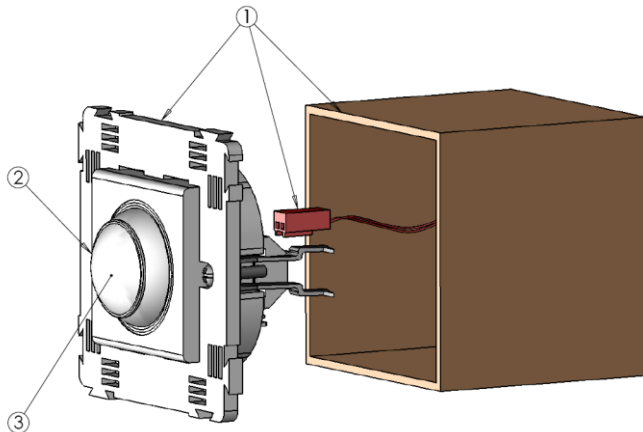


Figure 2 : Connection MDI01

FITTING BTICINO®, NIKO® ①:

Mount the MDI01 into a mounting box and secure with the claw attachment. Connect the bus cable to the back of the switch.

IMPORTANT :

THE BUS MUST NEVER COME INTO CONTACT WITH THE EARTHING OR A LIVE WIRE!

ADJUST VIEWING ANGLE ② :

Adjust the motion detector to get the maximum coverage of the room.

LED INDICATION ③ :

Red LED : motion + light indicator.

4. Different versions

Bticino® :



Bticino® MDI01/N Light

Bticino® MDI01/NT Light-Tech



Bticino® MDI01/L Living

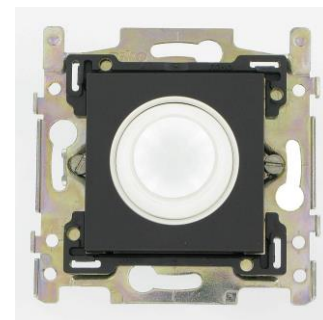
Niko® :



Niko® MDI01/100 (Cream)



Niko® MDI01/121 (Sterling)



Niko® MDI01/122 (Anthracite)

5. Technical Data

GENERAL SPECIFICATIONS :

- Power supply : bus connection
- Ambient temperature :
 Working temp. range : 10°C to 50°C
 Storage temp. range : -10°C to 60°C
- Maximum humidity : 93%, no moisture condensation
- Bus load : 15mA at nominal 13,8V
- Maximum installation altitude : 2.000m

MOTION DETECTOR INSIDE MDI01

PHYSICAL SPECIFICATIONS

- Housing : Plastic
- Protection Degree : IP20, EN 60529
- Dimensions :
 Bticino® : 73mmx72mm
 Niko® : 71mmx73mm
- Weight : Bticino®, Niko® = 0,053kg

ELECTRICAL SAFETY

- Bus : 13,8VDC safety extra low voltage (according EN 60950 – 1 : 2006).

CE

- Complies with the EMC regulations. The device complies with EN 61000-4-2 and 50090-2-2.

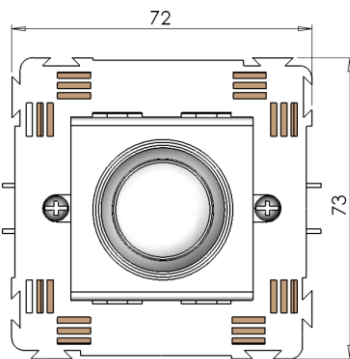
Any faulty devices should be send postage-free with a description of the defect to our central customer service office :

QBUS N.V.
 Joseph Cardijnstraat 19
 9420 Erpe-Mere
 Belgium
 T +32 53 60 72 10
 F +32 53 60 72 19
 Email : support@qbus.be

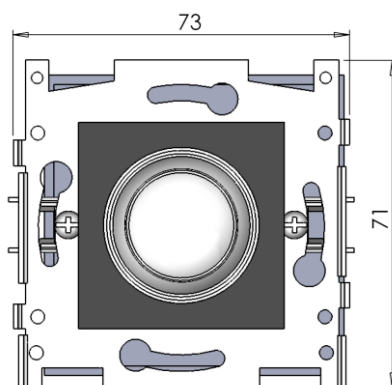
6. Dimension Diagram

Dimensions in mm.

Bticino®:



Niko®:



7. Guarantee provisions

Period of guarantee : 2 years from date of delivery.
 Guarantee will not be accepted if the device has been opened!